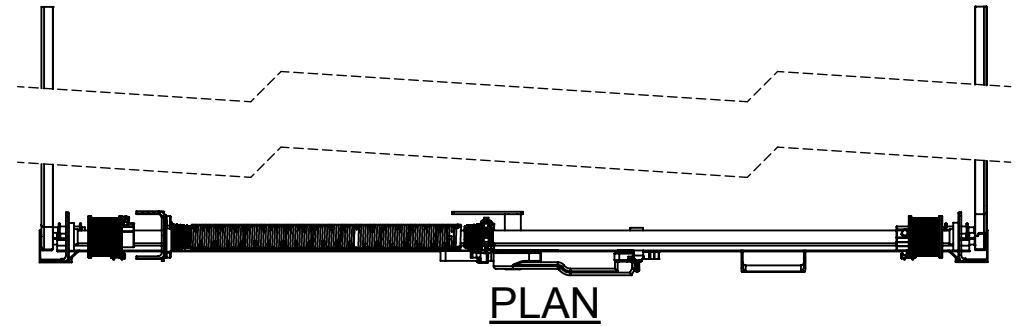
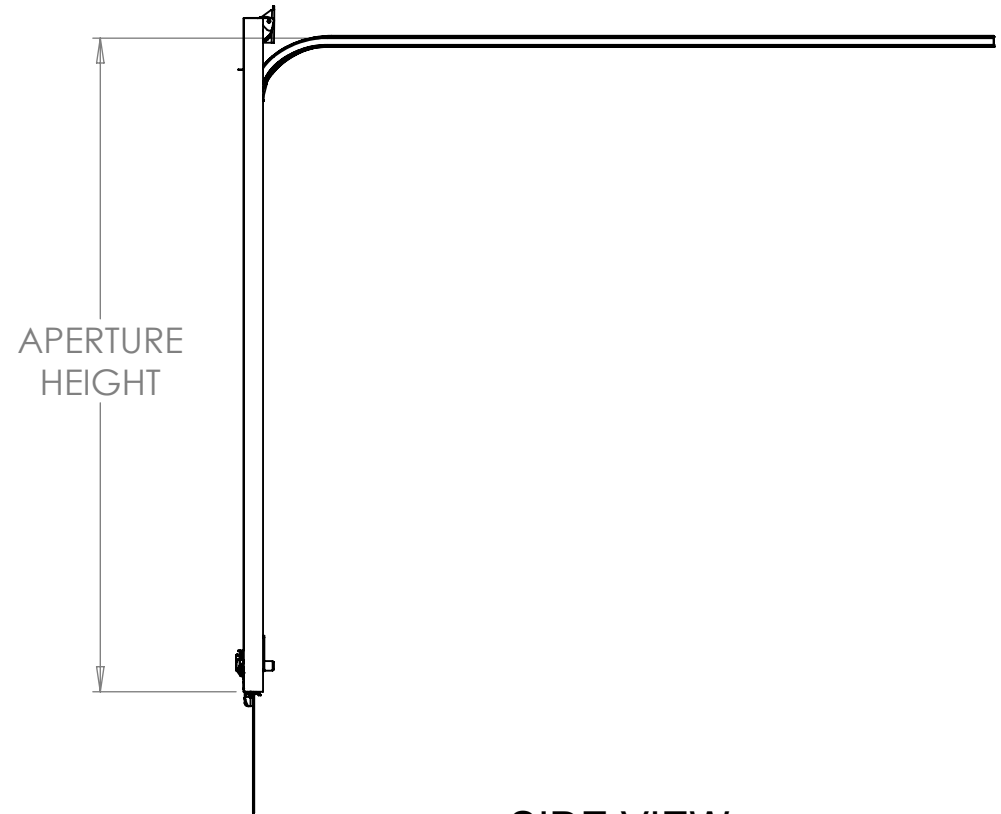


ELEVATION



PLAN



SIDE VIEW

PROJECTION

CONFIDENTIAL NOTE: This drawing and its designs, specifications and engineering information disclosed hereon are the property of DOVER ROLLER SHUTTERS and are not to be disseminated or reproduced without express written consent. The drawing is loaned in confidence and then only for consideration of the matter hereon. In accepting loan of this drawing, the recipient agrees to keep it and the matter disclosed hereon in confidence and not use nor permit the use in any way detrimental to DOVER ROLLER SHUTTERS.

Dover Roller Shutters

Coldhurst Street
Oldham OL1 2DN
England

Web: www.doverrollershutters.co.uk

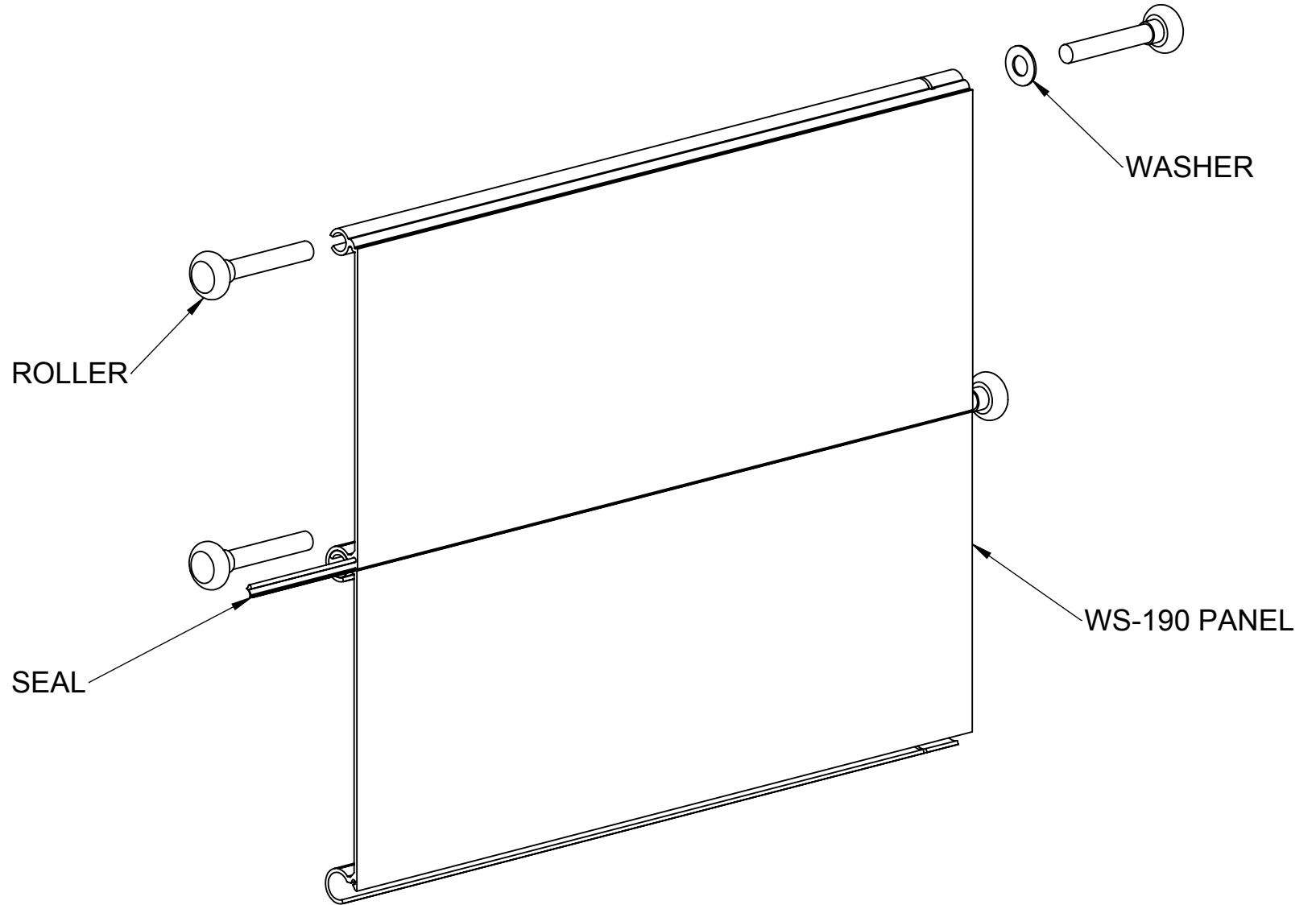
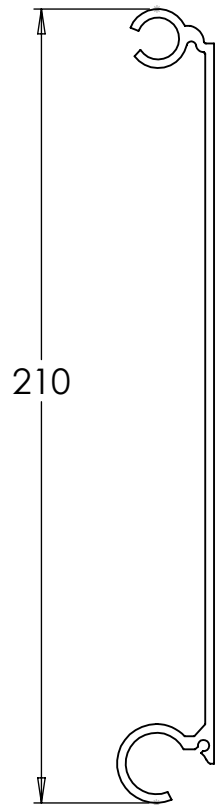
Email: sales@doverrollershutters.co.uk

Tel: 0161 652 3498

Fax: 0161 627 2697

DWG/ PART NO: WS-190 PROJECTION

WS-190 PANEL ASSEMBLY



WS-190 PANEL DETAIL

CONFIDENTIAL NOTE: This drawing and its designs, specifications and engineering information disclosed hereon are the property of DOVER ROLLER SHUTTERS and are not to be disseminated or reproduced without express written consent. The drawing is loaned in confidence and then only for consideration of the matter hereon. In accepting loan of this drawing, the recipient agrees to keep it and the matter disclosed hereon in confidence and not use nor permit the use in any way detrimental to DOVER ROLLER SHUTTERS.

Coldhurst Street
Oldham OL1 2DN
England

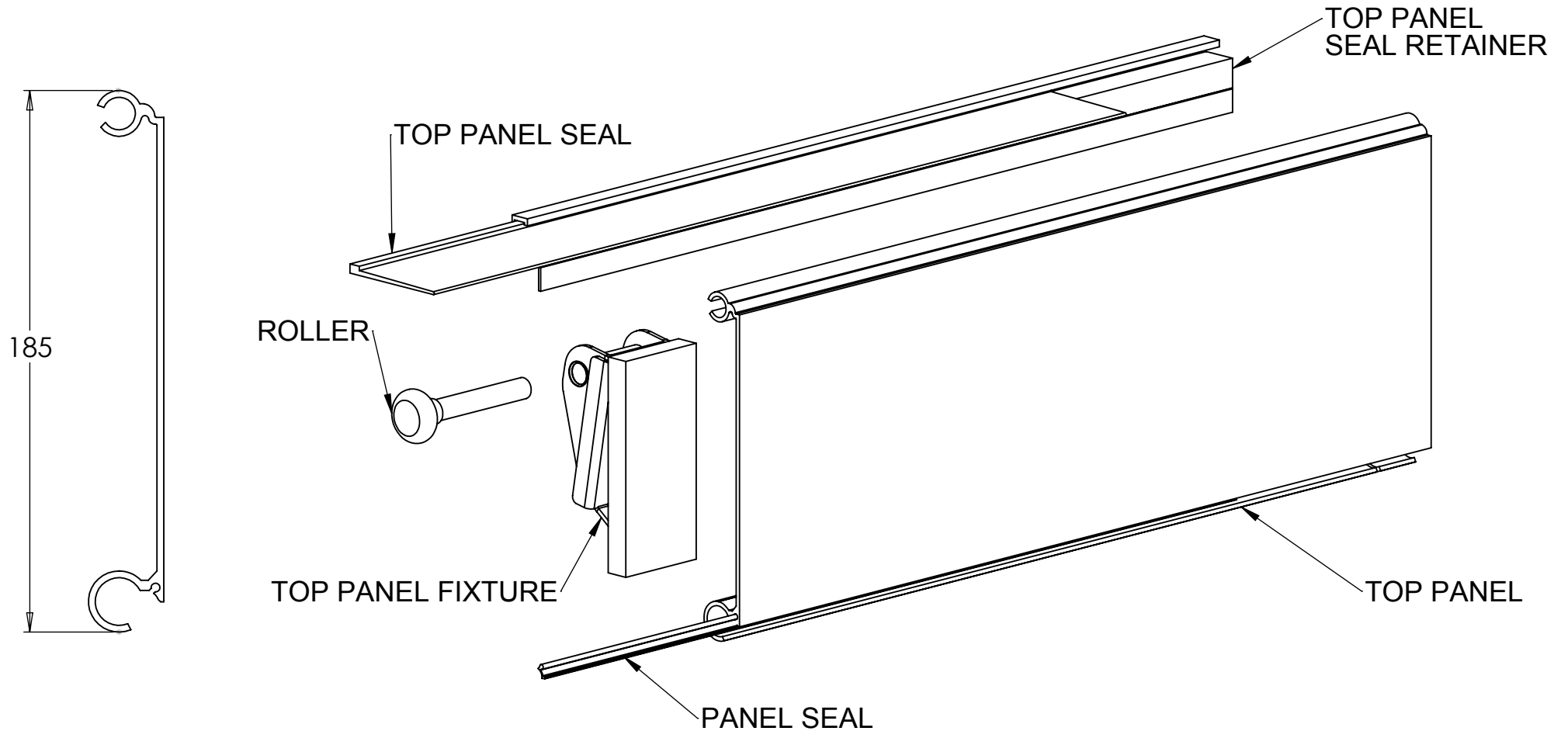
Dover Roller Shutters

Web: www.doverrollershutters.co.uk
Email: sales@doverrollershutters.co.uk

Tel: 0161 652 3498
Fax: 0161 627 2697

DWG/ PART NO: WS-190 PANEL ASSEMBLY

WS-190 TOP PANEL ASSEMBLY



TOP PANEL DETAIL

CONFIDENTIAL NOTE: This drawing and its designs, specifications and engineering information disclosed hereon are the property of DOVER ROLLER SHUTTERS and are not to be disseminated or reproduced without express written consent. The drawing is loaned in confidence and then only for consideration of the matter hereon. In accepting loan of this drawing, the recipient agrees to keep it and the matter disclosed hereon in confidence and not use nor permit the use in any way detrimental to DOVER ROLLER SHUTTERS.

Dover Roller Shutters

Coldhurst Street
Oldham OL1 2DN
England

Web: www.doverrollershutters.co.uk

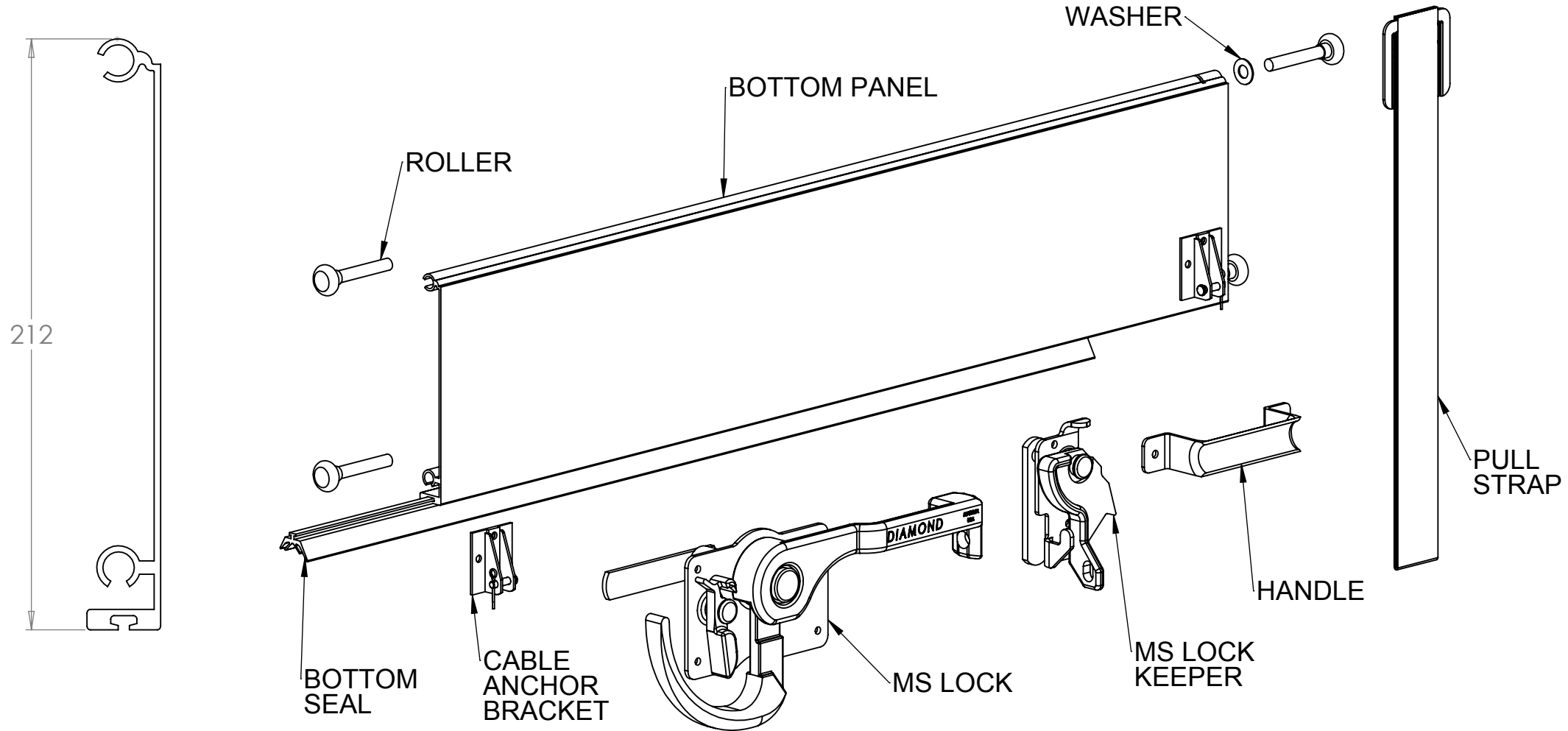
Tel: 0161 652 3498

Email: sales@doverrollershutters.co.uk

Fax: 0161 627 2697

DWG/ PART NO: WS-190 TOP PANEL ASSEMBLY

WS-190 BOTTOM PANEL ASSEMBLY

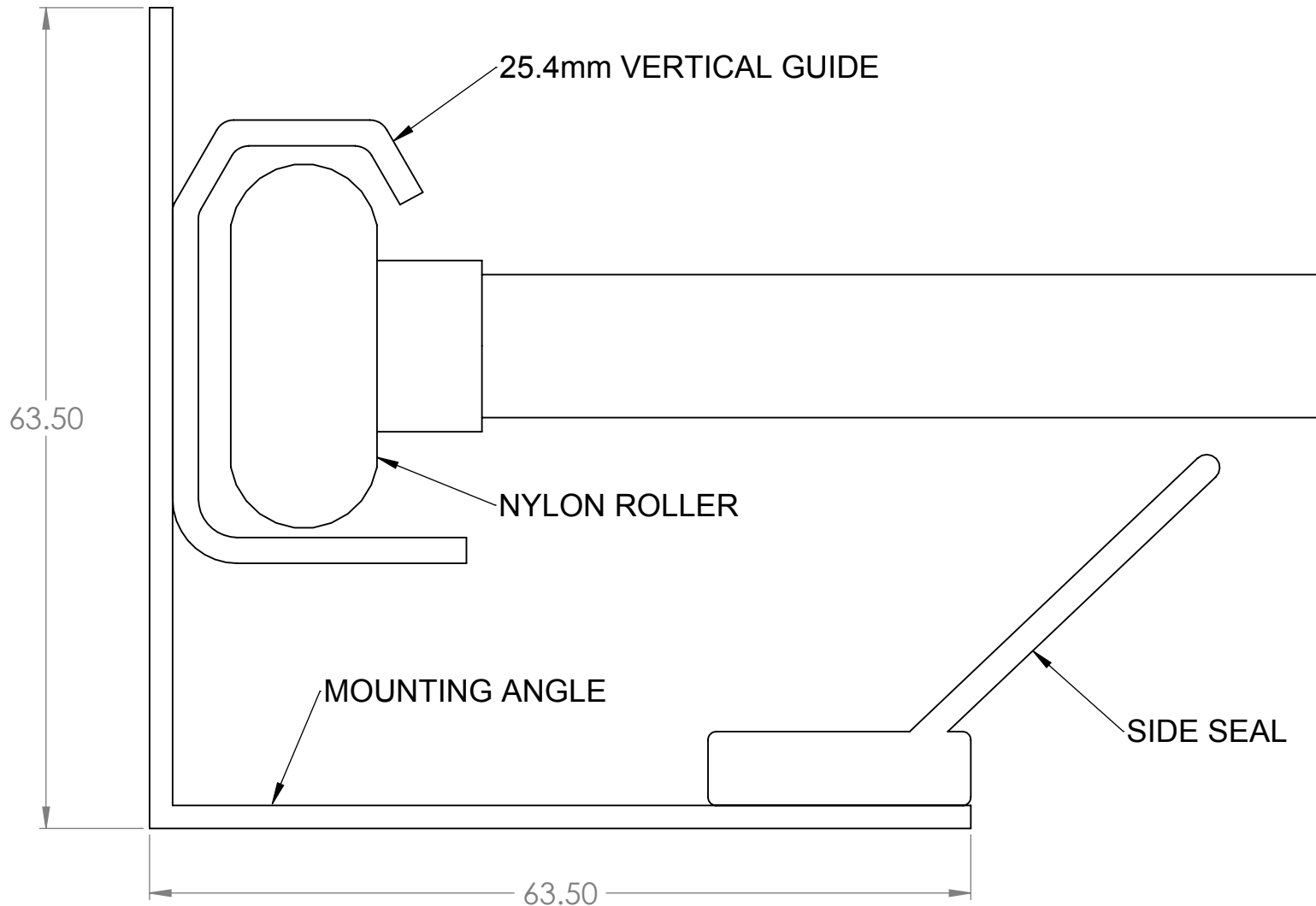


WS-190 BOTTOM PANEL DETAIL

CONFIDENTIAL NOTE: This drawing and its designs, specifications and engineering information disclosed hereon are the property of DOVER ROLLER SHUTTERS and are not to be disseminated or reproduced without express written consent. The drawing is loaned in confidence and then only for consideration of the matter hereon. In accepting loan of this drawing, the recipient agrees to keep it and the matter disclosed hereon in confidence and not use nor permit the use in any way detrimental to DOVER ROLLER SHUTTERS.

Dover Roller Shutters	
Coldhurst Street Oldham OL1 2DN England	Tel: 0161 652 3498
Web: www.doverrollershutters.co.uk	Fax: 0161 627 2697
Email: sales@doverrollershutters.co.uk	
DWG/ PART NO: WS-190 BOTTOM PANEL ASSEMBLY	

WS-190 GUIDE ASSEMBLY



WS-190 GUIDE

CONFIDENTIAL NOTE: This drawing and its designs, specifications and engineering information disclosed hereon are the property of DOVER ROLLER SHUTTERS and are not to be disseminated or reproduced without express written consent. The drawing is loaned in confidence and then only for consideration of the matter hereon. In accepting loan of this drawing, the recipient agrees to keep it and the matter disclosed hereon in confidence and not use nor permit the use in any way detrimental to DOVER ROLLER SHUTTERS.

Dover Roller Shutters

Coldhurst Street
Oldham OL1 2DN
England

Web: www.doverrollershutters.co.uk

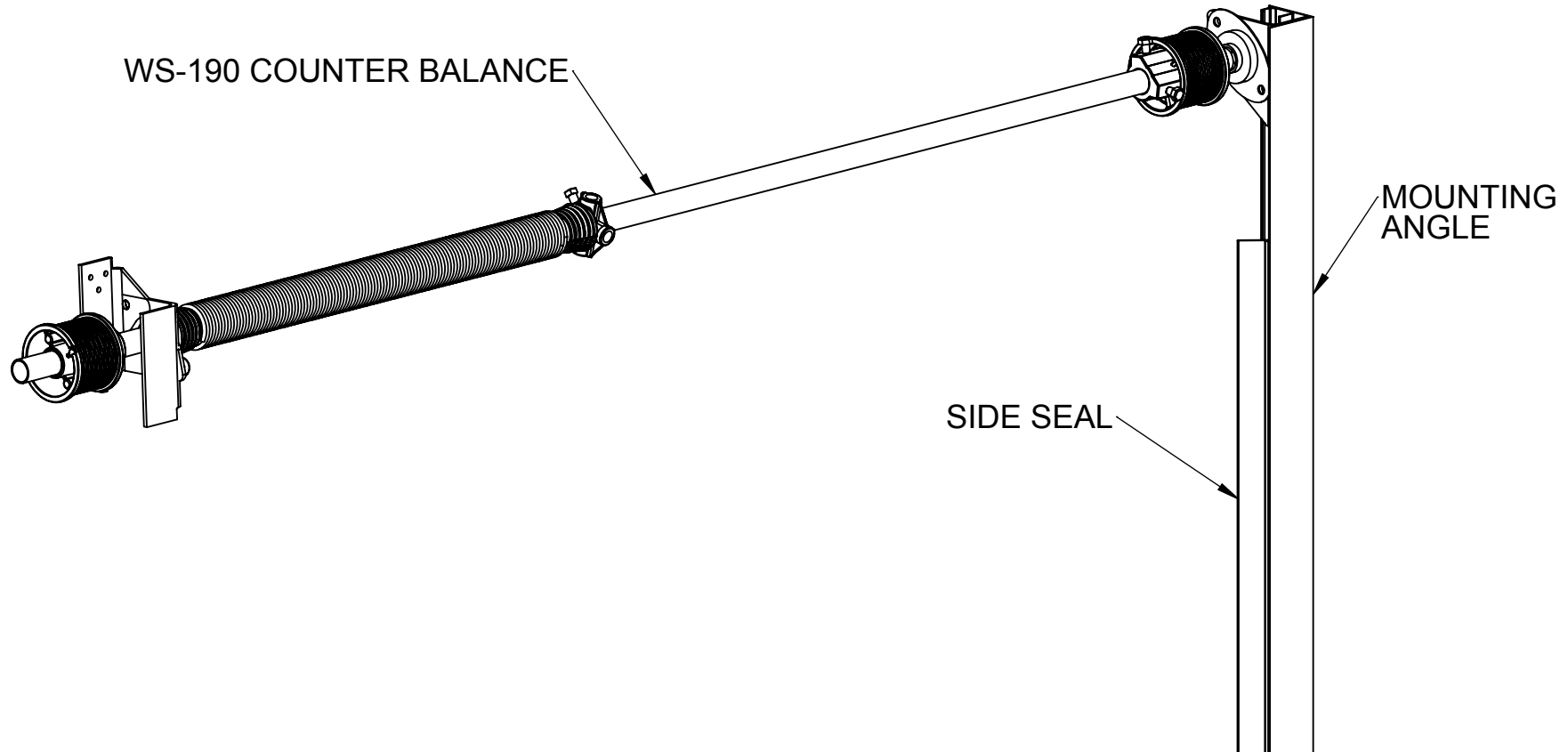
Email: sales@doverrollershutters.co.uk

Tel: 0161 652 3498

Fax: 0161 627 2697

DWG/ PART NO: WS-190 GUIDE ASSEMBLY

WS-190 COUNTER BALANCE ASSEMBLY



COUNTER BALANCE ASSEMBLY

CONFIDENTIAL NOTE: This drawing and its designs, specifications and engineering information disclosed hereon are the property of DOVER ROLLER SHUTTERS and are not to be disseminated or reproduced without express written consent. The drawing is loaned in confidence and then only for consideration of the matter hereon. In accepting loan of this drawing, the recipient agrees to keep it and the matter disclosed hereon in confidence and not use nor permit the use in any way detrimental to DOVER ROLLER SHUTTERS.

Dover Roller Shutters

Coldhurst Street
Oldham OL1 2DN
England

Web: www.doverrollershutters.co.uk

Email: sales@doverrollershutters.co.uk

Tel: 0161 652 3498

Fax: 0161 627 2697

DWG/ PART NO: WS-190 COUNTER BALANCE ASSEMBLY